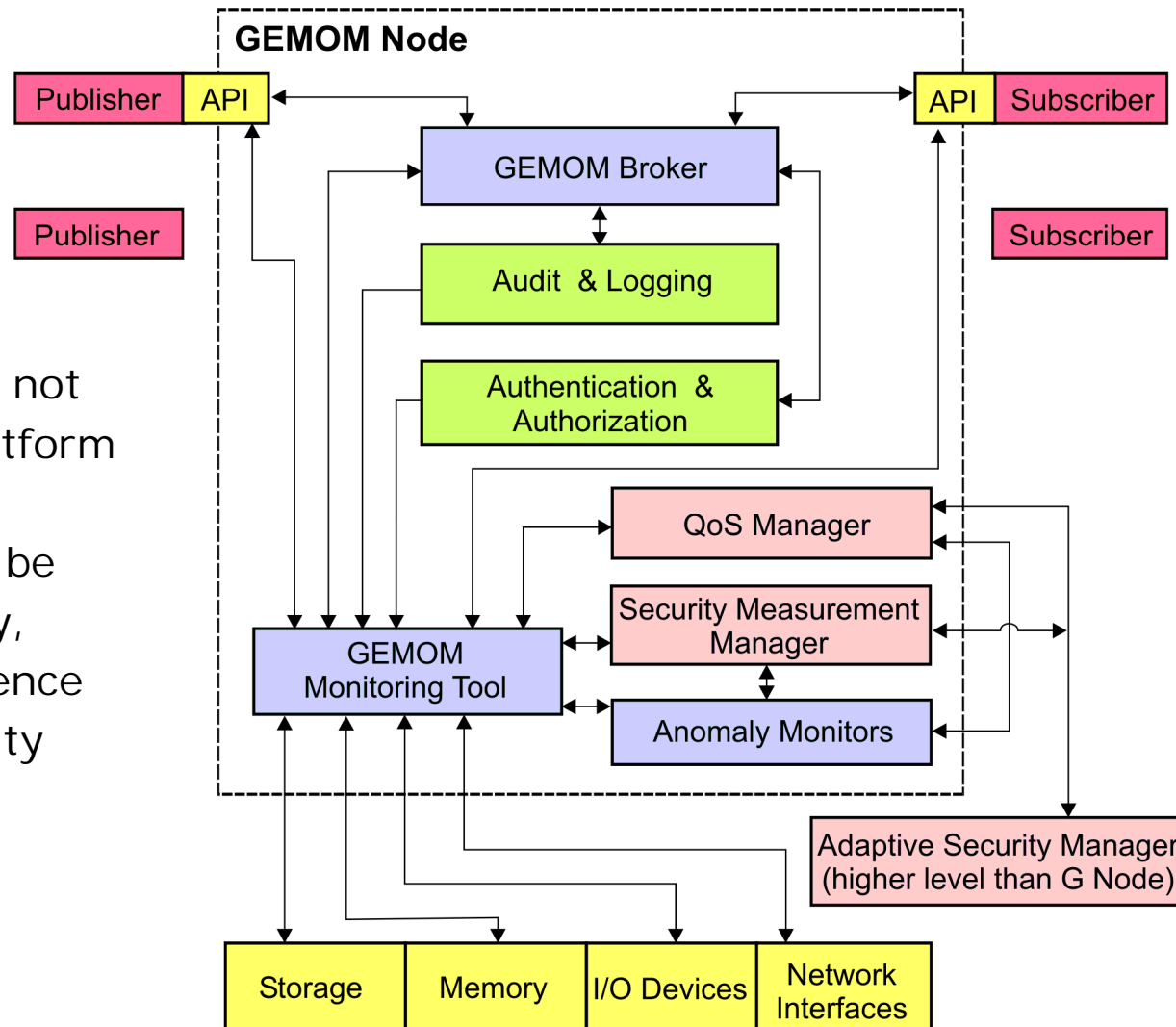


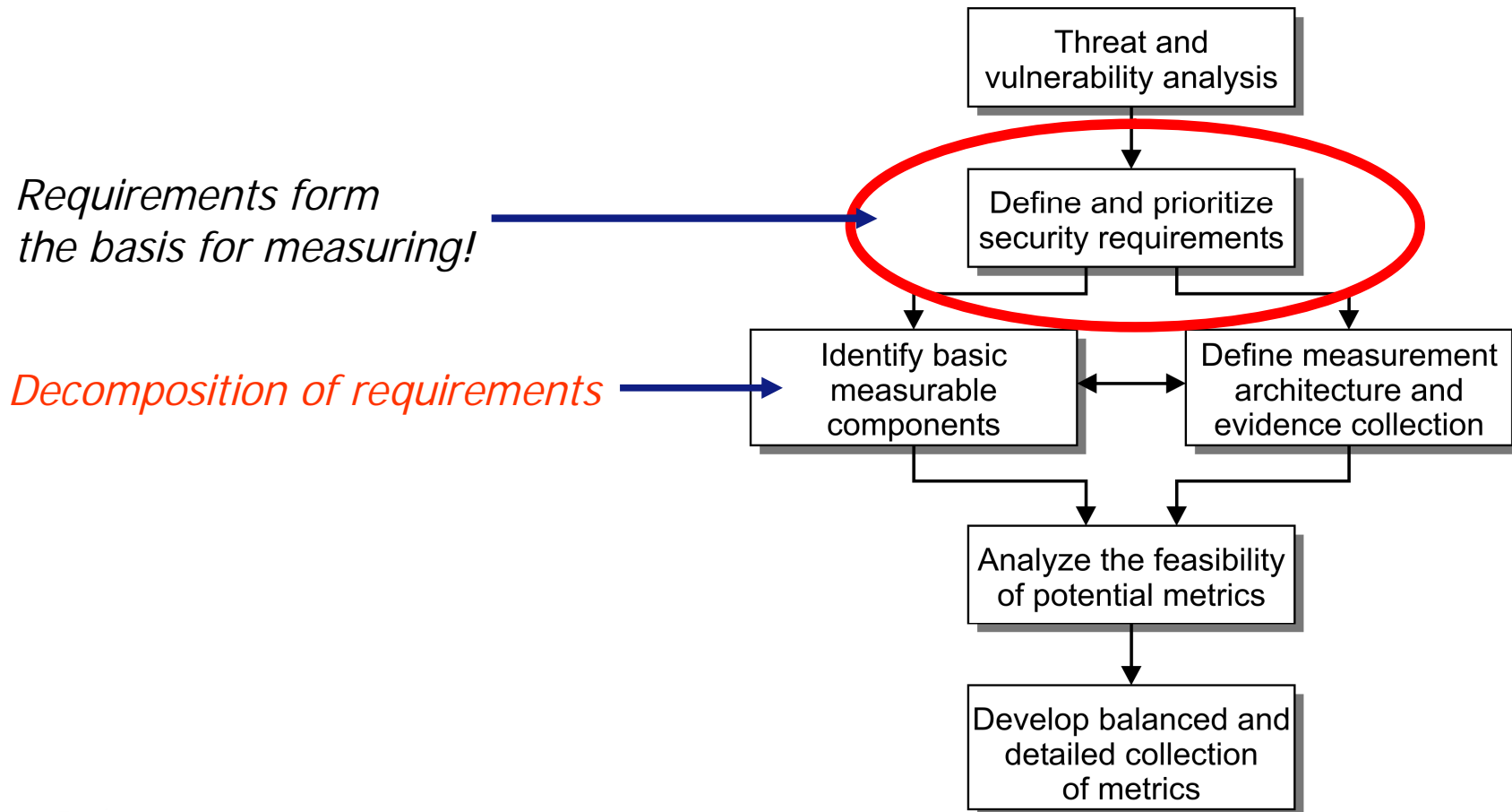
GEMOM (Message Oriented Middleware)



- Applications do not need to know platform details etc.
- Publish/subscribe
- Interoperability, Portability, resilience
- Adaptive security management



REQUIREMENT-CENTRIC DEVELOPMENT OF SECURITY METRICS



Further Information

- Contact information from VTT side related to GEMOM project:
 - Reijo Savola, e-mail: reijo.savola@vtt.fi